

**Windows:** Andersen 400 series - double hung 6 over 6 - to match existing

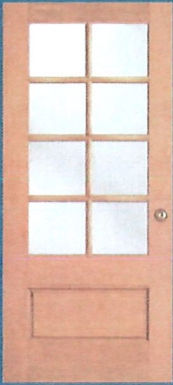


## 400 Series Tilt-Wash Double-Hung Window

- Seven exterior colors
- Natural pine or white interiors
- Energy efficient
- Dual-layer, compressible bulb weatherstripping seals out dust, wind and water
- Variety of hardware styles and finishes
- Custom sizing available on replacement versions
- Tilting sash allows for easy cleaning

**New Rear Door:** Mudroom entry door on rear addition: Simpson 7508

< BACK



### 7508 THERMAL SASH

The door you have selected is available with almost unlimited personalization options. For example, you can order this door in any type of wood and any size and change virtually any detail. To make this door even more "you," Personalize Your Door below.

**DOOR SPECIFICATIONS (AS SHOWN):**

Wood Species: Fir

Glass: Clear

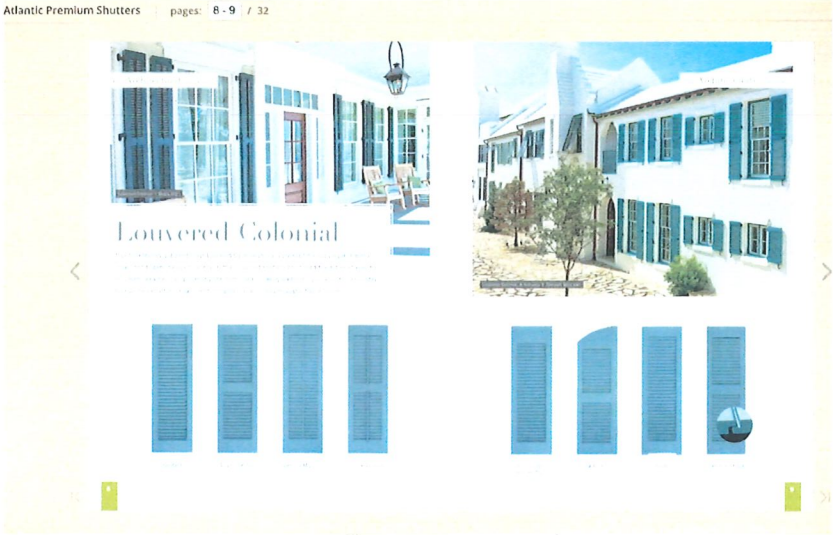
Profile: Ovolo Sticking

Panel Type: 1-7/16" Innerbond DHRP

Rough opening needs to be 2" wider and 2 1/2" taller than your door.

**Shutters** - match existing style with Brosco Atlantic Premium Shutters - Additional Rail

Atlantic Premium Shutters | pages: 8 - 9 / 32



### Louvered Colonial

The image shows a collection of blue louvered shutters in various styles and configurations, including single and double shutters with and without additional rails.

(/)

# Andersen 400 Series Woodwright



# Benefits of the Andersen 400 Series Woodwright

At Fisher Windows, we specialize in installing Andersen 400 Series Woodwright windows, one of the most popular choices for homeowners who want beauty, performance, and long-lasting value. These premium windows combine classic craftsmanship with modern efficiency, making them ideal for historic homes and new builds alike.

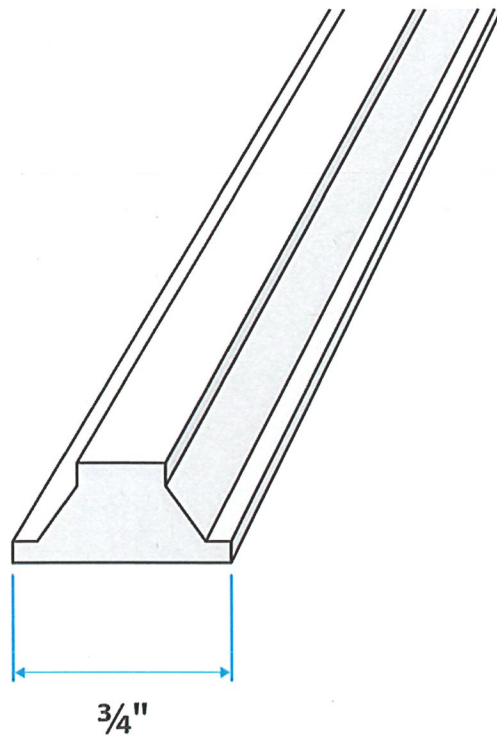
## Why Choose Andersen 400 Series Woodwright Windows?

- **Timeless Aesthetics:** The Woodwright window mimics historical architecture with authentic profiles and wood interiors.
- **Durable Exterior:** Fibrex® composite and vinyl cladding offer protection against the elements while maintaining a classic look.
- **Energy Efficiency:** Rated for superior insulation, the 400 Series Woodwright helps reduce your energy costs year-round.
- **Easy Maintenance:** Woodwright double hung windows tilt inward for quick cleaning—no need for ladders.
- **Flexible Design Options:** Available in multiple colors, hardware finishes, and grille styles for a customized appearance.
- **Proven Performance:** Built by a trusted brand with decades of excellence in the window industry.

Whether you're upgrading a historic home or building new, the Andersen 400 Series brings form and function together effortlessly.

## Professional Andersen Window Installation by Fisher Windows

When you invest in Andersen 400 Series Woodwright windows, expert installation is key to maximizing their performance. At Fisher Windows, our certified team ensures every detail is done right—from initial consultation to final inspection.



Color:

White Exterior | White Interior



- DESCRIPTION

Size C4/A4.

Overall grille dimension is 19 7/8" wide by 43 3/8" high.

3/4" grille profile.

White color exterior with white interior.

Our grilles add traditional elegance to any home and are removable for easy cleaning.

\*Please read the installation guide for finishing recommendations.

+ SPECIFICATIONS

+ INSTRUCTIONS

RELATED ITEMS

400 Series Casement & Awning Window Removable Interior Grille

\$109.67

View Product

White Touch-Up Point

\$10.97

View Product

CUSTOMERS ALSO LOOKED AT

