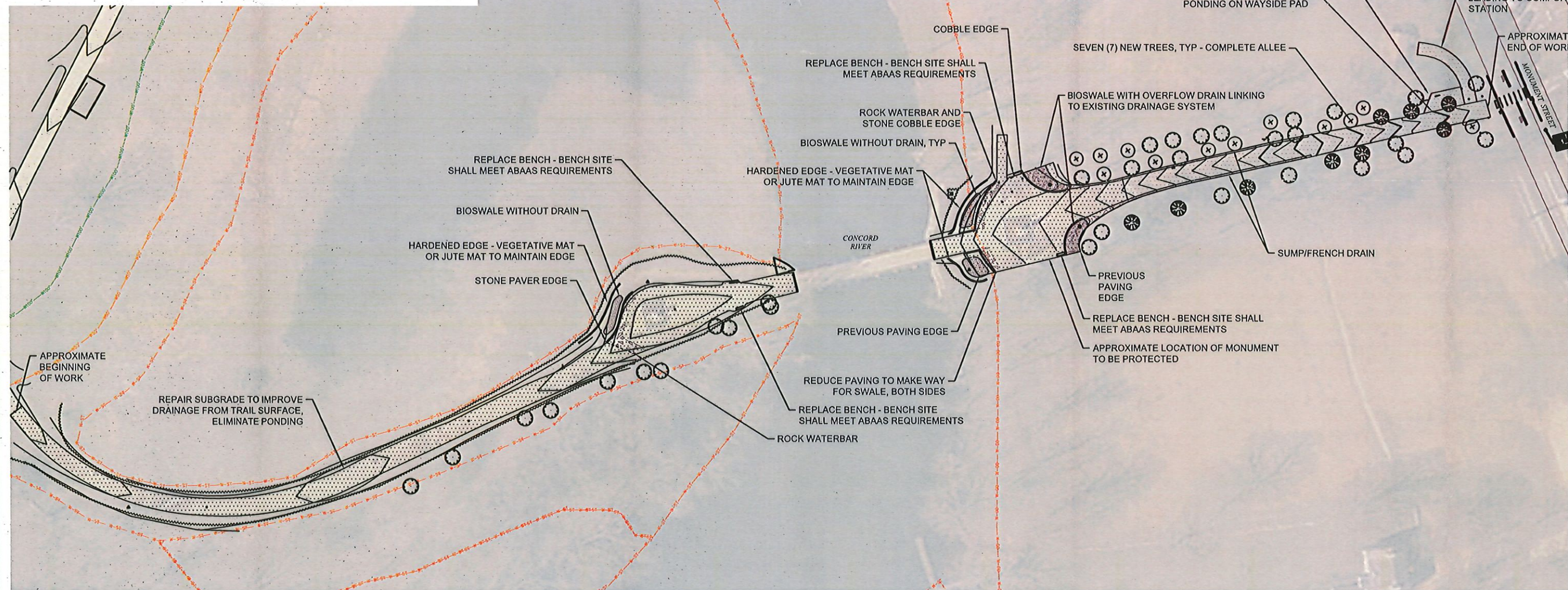
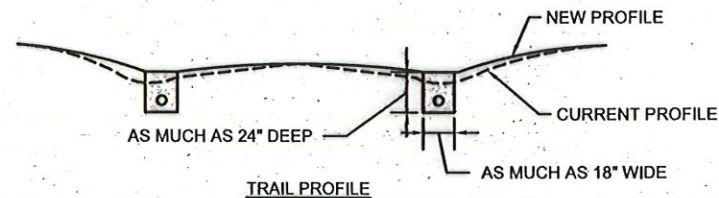


- NOTES:
- CENTERLINE AND STATIONING ARE APPROXIMATE, BASED ON PHYSICAL SURVEYS, AERIAL PHOTOGRAPHY, AND GIS SURVEY.
  - CONCORD CONSERVATION COMMISSION LINE SHOWN IS APPROXIMATE. REFER TO WETLAND DELINEATION SURVEY, WHERE AVAILABLE, AND TOWNSHIP INVENTORY FOR ACCURATE BOUNDARIES DEFINED BY LOCAL COMMISSION.
  - PROPOSED GRASSED SWALES TO BE 2'-6" IN WIDTH AND 6" DEEP MAX. UNLESS OTHERWISE NOTED. IT IS THE CONTRACTORS RESPONSIBILITY TO GRADE TO DRAIN, AND KEEP WATER OFF OF THE TRAIL SURFACE.

4. DETAILS FOR DRAINAGE AND BIOSWALES FOUND ON SHEET L31 - DETAILS



BATTLE ROAD SUMMARY TREE SCHEDULE (PRELIM)

QUAN	COMMON NAME/SPECIES	SIZE	NOTES
0	TREES REMOVED		
11	SUGAR MAPLE ACER SACCHARUM		'COMMEMORATION'

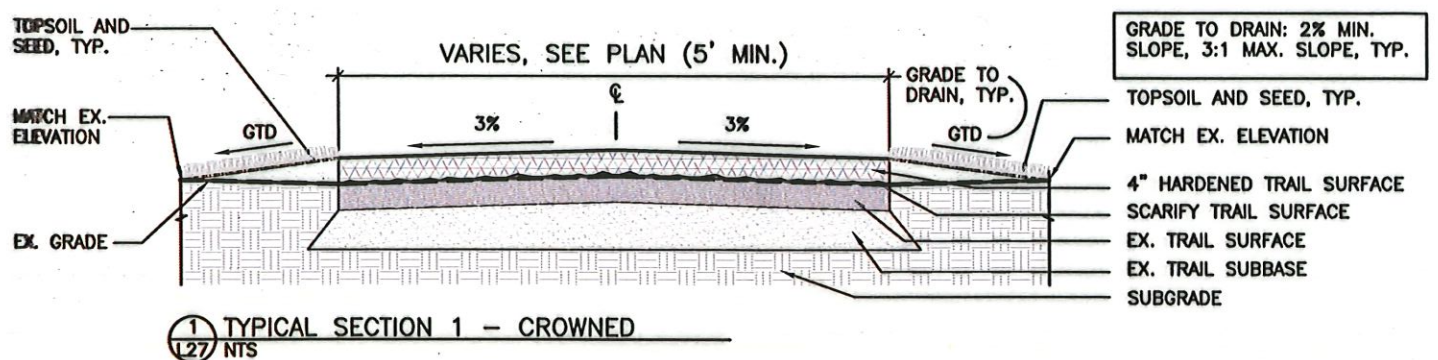


MARK	SHEET	DESCRIPTION	DATE	INTL.	DESIGNED:	SUB SHEET NO.	TITLE OF SHEET	DRAWING NO.
		REPRINT LEGIBILITY	11/23/2022		MPS/JAS			406
					MPS/JAS	L8	NORTH BRIDGE	184184
					TECH. REVIEW:			PMIS/PKG NO.
					HACE			317529
					DATE:			SHEET
					10/31/2022			9 OF 33

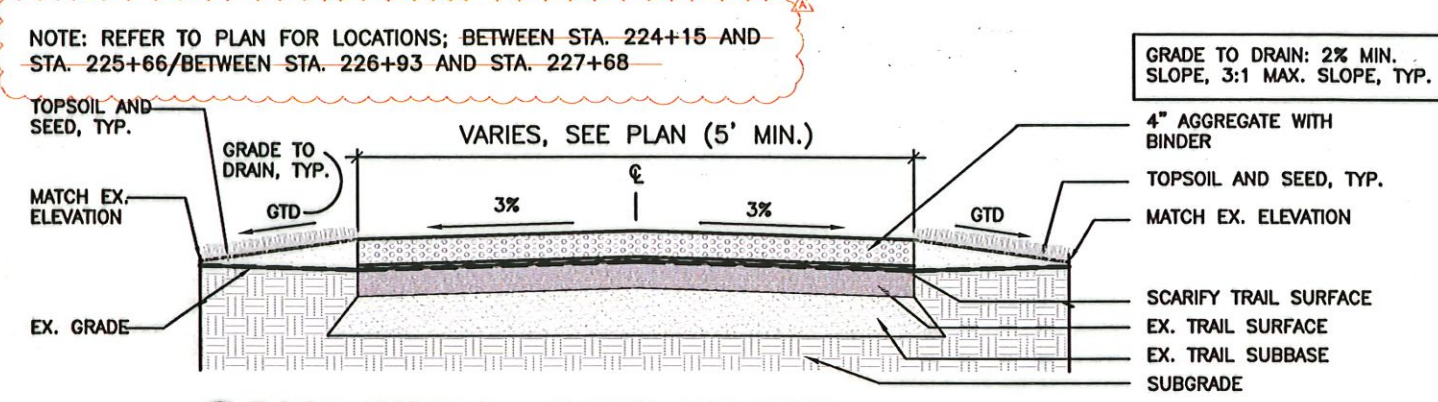
GREAT AMERICAN OUTDOORS ACT (GAOA)  
LEXINGTON, LINCOLN, & CONCORD, MA

11/30/2022 11:02 AM MSURBER R19 C:\USERS\MSURBER\ONE DRIVE - DON\PARKS\WMA\GAOA\LANDSCAPE\3.0 CAD\CURRENT\TRAIL\BOARDWALK\PACKAGE\LB\_NORTHBRIDGE\TRAIL.DWG

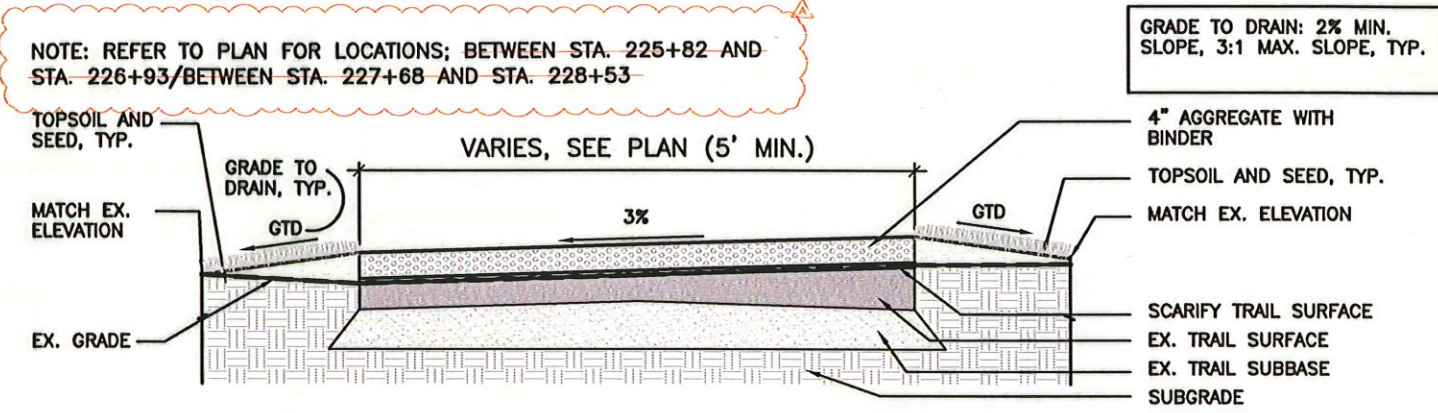
12/7/2022 10:00 AM MSURBER R19 C:\USERS\MSURBER\ONE DRIVE - DO\PARKS\MIMA\GAOA\LANDSCAPE\3.0 CAD\CURRENT\TRAIL\SCARDWALK\PACKAGE\L27\_DETAILS\_TRIL.DWG



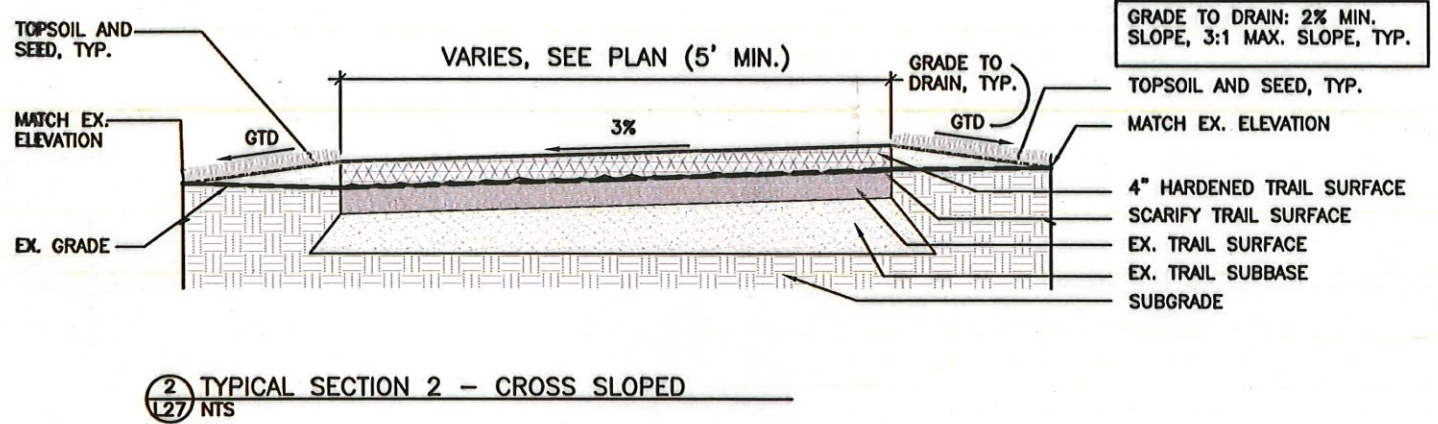
1 TYPICAL SECTION 1 - CROWNED  
1/27 NTS



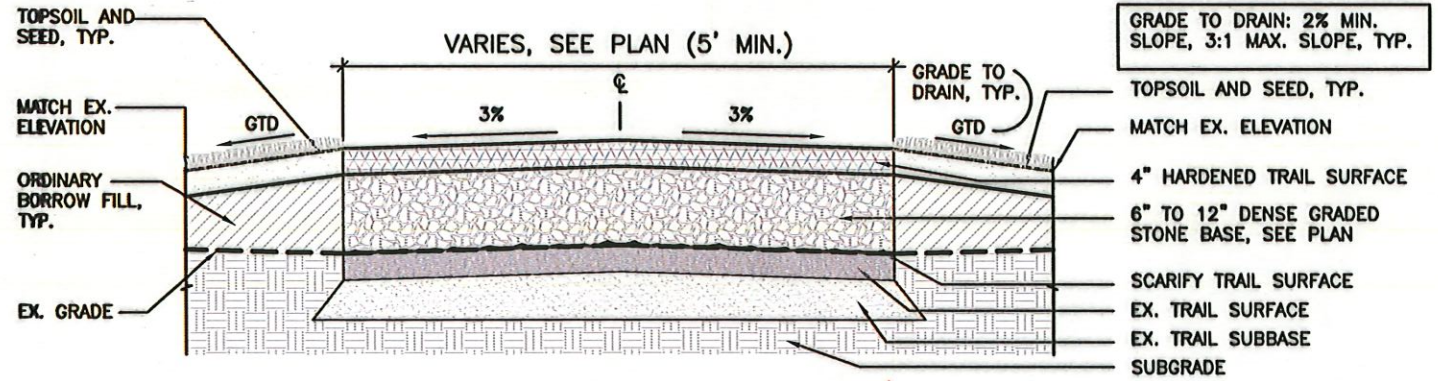
5 TYPICAL SECTION 5 - CROWNED WITH BINDER  
1/27 NTS



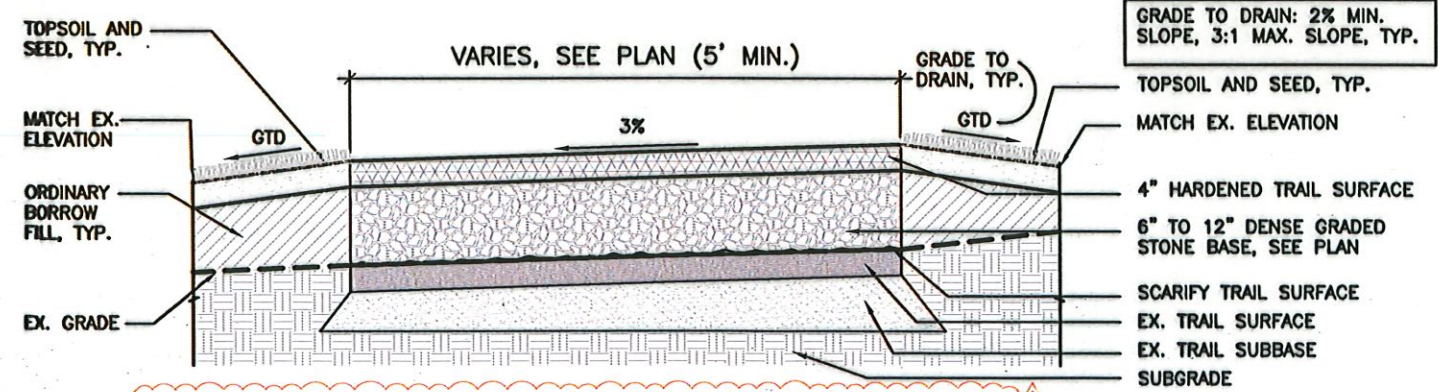
6 TYPICAL SECTION 6 - CROSS SLOPED WITH BINDER  
1/27 NTS



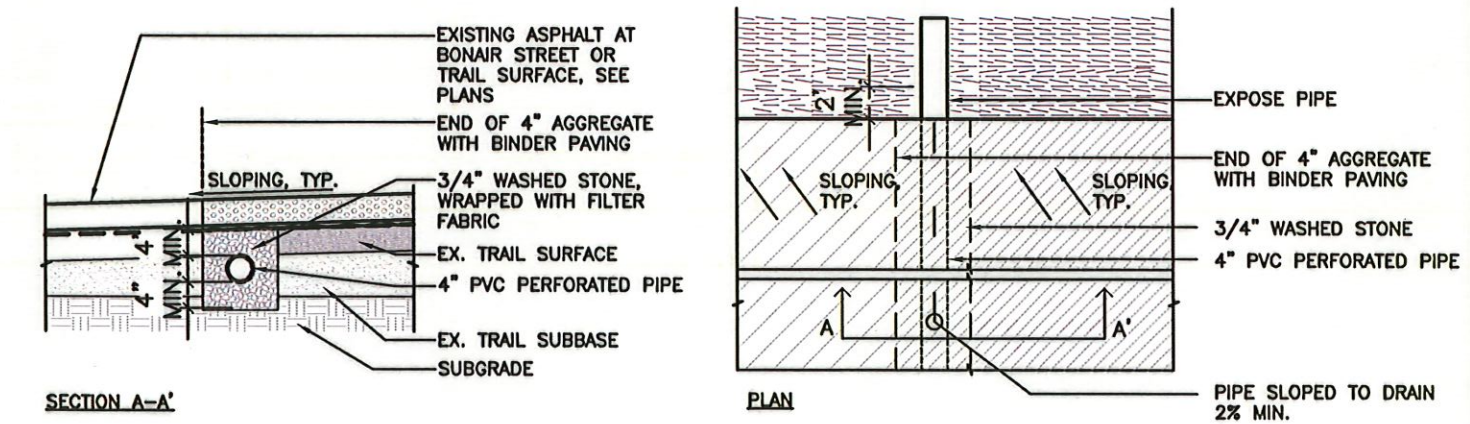
2 TYPICAL SECTION 2 - CROSS SLOPED  
1/27 NTS



3 TYPICAL SECTION 3 - CROWNED WITH NEW BASE  
1/27 NTS



4 TYPICAL SECTION 4 - CROSS SLOPED WITH NEW BASE  
1/27 NTS



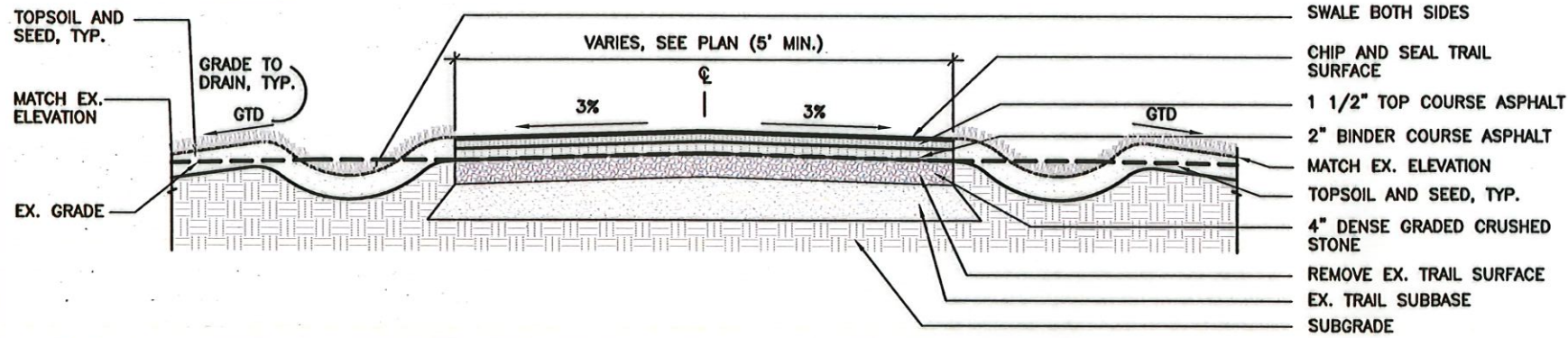
7 UNDERPASS PIPE AT TRAIL WITH BINDER  
1/27 NTS

NOTE: MANY SECTIONS OF THE BATTLE ROAD TRAIL ARE 7' WIDE. SECTIONS OF TRAIL THAT COINCIDE WITH THE HISTORIC TRACE OF THE BATTLE ROAD ARE 12' WIDE.

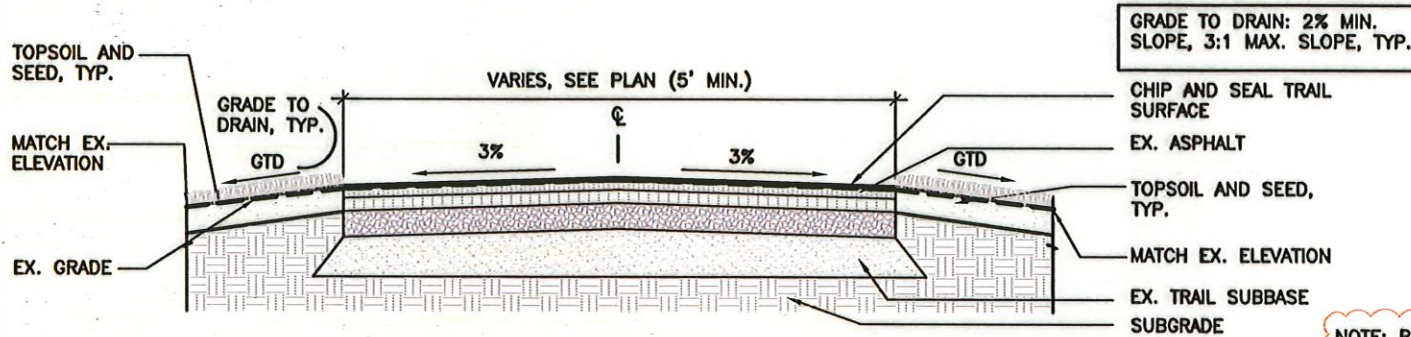
MARK	SHEET	DESCRIPTION	DATE	INTL.	DESIGNED:	SUB SHEET NO.	TITLE OF SHEET	DRAWING NO.
▲	L27	Amend. 005 - Revision	12/07/2022		MPS/JAS	L27	DETAILS	406
					MPS/JAS			184184
					HACE			317529
					DATE: 10/31/2022			SHEET
							TRAIL REPAIRS GREAT AMERICAN OUTDOORS ACT (GAOA) - LEXINGTON, LINCOLN, & CONCORD, MA	29 OF 33

GRADE TO DRAIN: 2% MIN.  
SLOPE, 3:1 MAX. SLOPE, TYP.

NOTE: REFER TO PLAN FOR LOCATIONS; BETWEEN STA. 143+95 AND STA. 145+90/BETWEEN STA. 149+60 AND STA. 152+70

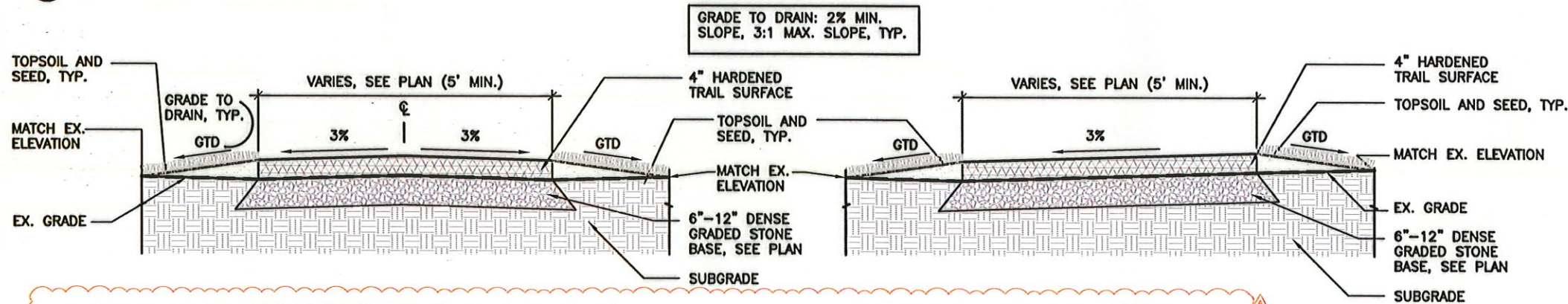


1 TYPICAL SECTION 7 - OVERPASS AREA ASPHALT WITH CHIP AND SEAL TRAIL SURFACE  
L28 NTS



2 TYPICAL SECTION 8 - CHIP AND SEAL TRAIL SURFACE OVER EXISTING ASPHALT  
L28 NTS

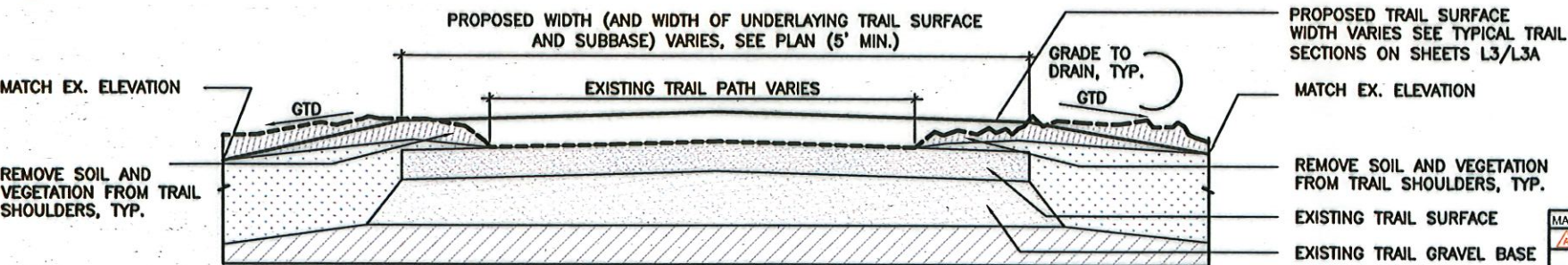
NOTE: REFER TO PLAN FOR LOCATIONS; BETWEEN STA. 145+90 AND STA. 152+70



NOTE: REFER TO PLAN FOR LOCATIONS; BETWEEN STA. 37+46 AND STA. 39+12/  
END NEW INFERERRA FARM TRAIL SEGMENT/BETWEEN AREA 6 N: 2990499.6018, E:  
707947.7610 AND N: 2990295.5623, E: 707911.2354

NOTE: REFER TO PLAN FOR LOCATIONS; BETWEEN STA. 72+42 AND STA. 73+50

3 TYPICAL SECTION 9 - NEW TRAIL ALIGNMENT  
L28 NTS



4 TRAIL WIDENING  
L28 NTS

NOTE: TRAIL WIDENING IS NEEDED FOR THE LENGTH OF THE TRAIL SCOPE AND IS NOT OTHERWISE INDICATED ON THE PLANS

NOTE: MANY SECTIONS OF THE BATTLE ROAD TRAIL ARE 7' WIDE. SECTIONS OF TRAIL THAT COINCIDE WITH THE HISTORIC TRACE OF THE BATTLE ROAD ARE 12' WIDE.

MARK	SHEET	DESCRIPTION	DATE	INTL	DESIGNED:	SUB SHEET NO.	TITLE OF SHEET	DRAWING NO.
▲	L28	Amended 005 - Revision	12/07/2022		MPS/JAS		DETAILS	406
					MPS/JAS	L28		184184
					TECH. REVIEW:			PHIS/PRG NO.
					HACE			317529
					DATE:			SHEET
					10/31/2022			30 OF 33

TRAIL REPAIRS  
GREAT AMERICAN OUTDOORS ACT (GAOA)  
LEXINGTON, LINCOLN, & CONCORD, MA

12/7/2022 10:34 AM MSURBER R19 C:\USERS\MSURBER\ONE DRIVE - D:\PARKS\MINA\GEO\LANDSCAPE\3.0 CAD\CURRENT\TRAILSSOARDWALKSPACKAGE\L28\_DETAILS\_TR.L28.DWG