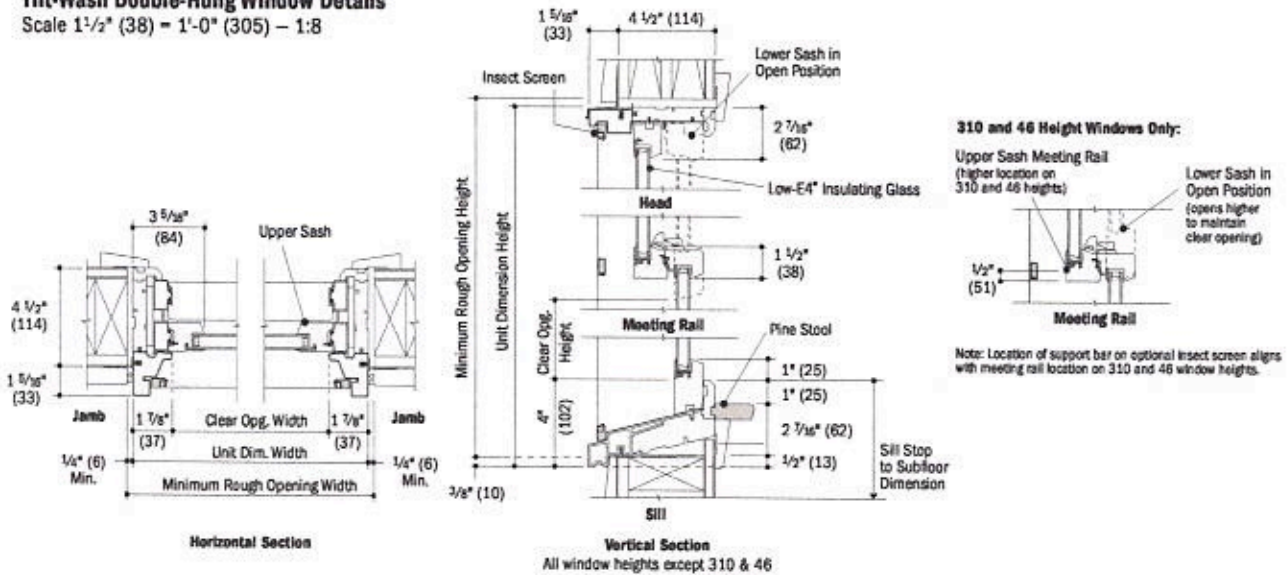


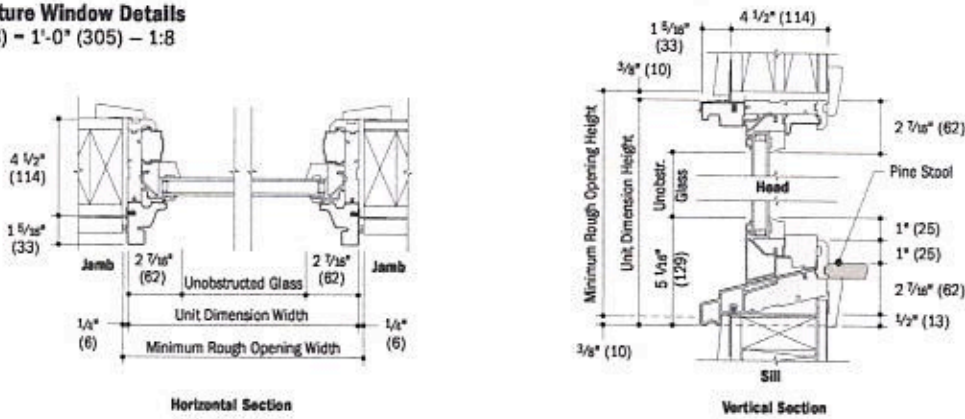
Tilt-Wash Double-Hung Window Details

Scale 1 1/2" (38) = 1'-0" (305) – 1:8



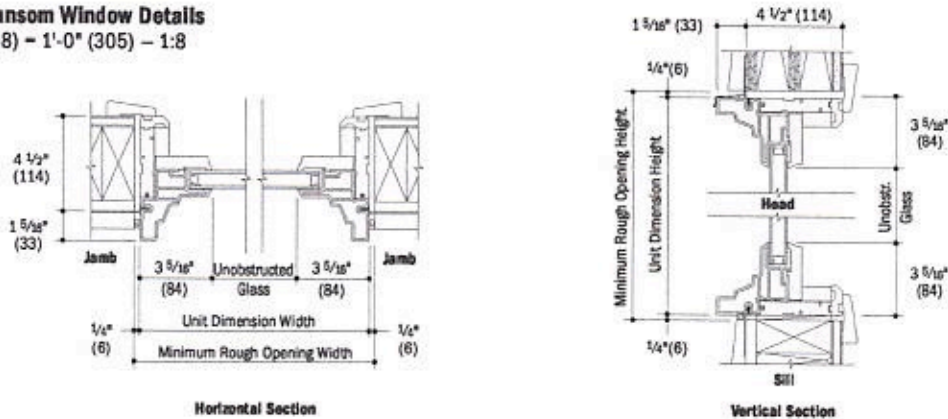
Tilt-Wash Picture Window Details

Scale 1 1/2" (38) = 1'-0" (305) – 1:8



Tilt-Wash Transom Window Details

Scale 1 1/2" (38) = 1'-0" (305) – 1:8



- Light-colored areas are parts included with window. Dark-colored areas are additional Andersen® parts required to complete window assembly as shown.
- Minimum rough openings may need to be increased to allow for use of building wraps, flashing, sill panning, brackets, fasteners or other items.
- Details are for illustration only and are not intended to represent product installation methods or materials. Refer to product installation guides at andersenwindows.com.
- Dimensions in parentheses are in millimeters.

Timberline® AS II Specs

ABOUT
([HTTPS://WWW.GAF.COM/EN-US/PRODUCTS/TIMBERLINE-AS-II](https://www.gaf.com/en-us/products/timberline-as-ii))

SPECS
([HTTPS://WWW.GAF.COM/EN-US/PRODUCTS/TIMBERLINE-AS-II/SPECIFICATIONS](https://www.gaf.com/en-us/products/timberline-as-ii/specifications))

DOCS
([HTTPS://WWW.GAF.COM/EN-US/PRODUCTS/TIMBERLINE-AS-II/DOCUMENTS](https://www.gaf.com/en-us/products/timberline-as-ii/documents))

VIDEOS
([HTTPS://WWW.GAF.COM/EN-US/PRODUCTS/TIMBERLINE-AS-II/VIDEOS](https://www.gaf.com/en-us/products/timberline-as-ii/videos))

SPECIFICATIONS (ALL DIMENSIONS ARE NOMINAL)

AWARDS & RECOGNITION	Good Housekeeping Rated
25-YEAR STAINGUARD PLUS™ ALGAE PROTECTION LIMITED WARRANTY	StainGuard Plus™ Algae Protection Limited Warranty
BUNDLE COVERAGE	3 bundles per square
\$ - \$\$\$\$	\$\$\$
DURABILITY & TOUGHNESS	Advanced Protection Shingle with GAF Dura Grip Adhesive
EXPOSURE	5 5/8" (144 mm)
EXTREME WEATHER IMPACT RATED	Yes
FIRE RATING	Highest Rating - Class A
MATERIAL	Fiberglass Asphalt Construction
WIND RATING	Eligible for the WindProven™ Limited Wind Warranty when installed with four required GAF accessory products
ARCHITECTURAL STYLE	Architectural
SHINGLE STYLE	Wood-Shake Look
SHINGLE TYPE	Specialty Architectural
APPROX. NAILS/SQ	256

AWARDS & RECOGNITION: Good Housekeeping Rated

[Manage Your Cookie Preferences](#)

SPECIFICATIONS (ALL DIMENSIONS ARE NOMINAL)

25-YEAR STAINGUARD PLUS™ ALGAE PROTECTION LIMITED

WARRANTY: StainGuard Plus™ Algae Protection Limited Warranty

BUNDLE COVERAGE: 3 bundles per square

\$ - \$\$\$\$: \$\$\$

DURABILITY & TOUGHNESS: Advanced Protection Shingle with GAF Dura Grip Adhesive

EXPOSURE: 5 5/8" (144 mm)

EXTREME WEATHER IMPACT RATED: Yes

FIRE RATING: Highest Rating - Class A

MATERIAL: Fiberglass Asphalt Construction

WIND RATING: Eligible for the WindProven™ Limited Wind Warranty when installed with four required GAF accessory products

ARCHITECTURAL STYLE: Architectural

SHINGLE STYLE: Wood-Shake Look

SHINGLE TYPE: Specialty Architectural

APPROX. NAILS/SQ: 256

CODES

FBC State of Florida Approved

ICC ESR-1475

ICC AC438 ESR-3267

TDI Meets requirements of the Texas Department of Insurance.

FBC: State of Florida Approved

ICC : ESR-1475

ICC AC438: ESR-3267

TDI: Meets requirements of the Texas Department of Insurance

We use cookies to operate our website, enhance site navigation and functionality, analyze site

TESTING METHODS & APPLICABLE STANDARDS

TAS 100-95 Yes

TESTING METHODS & APPLICABLE STANDARDS

TAS 100-95: Yes

ENERGY RATING

TITLE 24 (CALIFORNIA ENERGY COMMISSION) No

TITLE 24 (CALIFORNIA ENERGY COMMISSION): No

SHIPPING AND PACKAGING

APPROX. PIECES/SQ 64

APPROX. BUNDLES/SQ 3

APPROX. PIECES/SQ: 64

APPROX. BUNDLES/SQ: 3

We use cookies to operate our website, enhance site navigation and functionality, analyze site usage, and assist in our marketing efforts.

Specification Sheet

1-Course Shingle Panel

Product Description

Exterior sidewall system consisting of 96-1/4" x 6.05", 7.3" OR 9.0" actual size panels (96" x 4.25", 5.3" OR 7 1/8" net coverage) of one course of 11/32" thick Western Red Cedar tapered shingles at 4.25", 5.3" OR 7 1/8" exposure to the weather bonded to 11/32" CDX plywood sheathing with galvanized steel staples and glue bead over a fiberglass matte laminate. Plywood is angle cut on top and bottom to allow 1/8-inch adjustment per course of additional overlap. Panel ends have overlapping shingle design, which provides all vertical seams with weather tight lap.

Basic Uses:

Exposed siding for exterior walls or for Mansard type roofs of 60° (24/12) or greater in pitch.

Sizes:

4.25 Exposure Panels: Actual 96-1/4" wide by 6.05" high (96" x 4.25" net coverage) with one shingle course, with net surface coverage of 2.86 sq. ft. per panel, thirty-five panels per 100 sq. ft. (One Siding Square)

5.3 Exposure Panels: Actual 96-1/4" wide by 7.3" high (96" x 5.3" net coverage) with one shingle course, with net surface coverage of 3.55 sq. ft. per panel, twenty-eight panels per 100 sq. ft. (One Siding Square)

7 1/8" Exposure Panels: Actual 96-1/4" wide by 9.0" high (96" x 7 1/8" net coverage) with one shingle course, with net surface coverage of 4.76 sq. ft. per panel, twenty-one panels per 100 sq. ft. (One Siding Square)

Patterns & Finishes:

Regular textured surfaces are available in either straight or staggered buttlines. Tight keyway spacing as well as shingle thicknesses of 5/16" or 1/2" are available. Flush mounting corner units are available in matching surface textures and finishes.

Materials:

Only 100% Western Red Cedar tapered shingles are used, available in either 11/32" or 1/2" thickness.

Corners:

Flush-mounting corner units are prefabricated of Western Red Cedar tapered shingles stapled to 11/32" exterior plywood sheathing in "Boston Weave" construction. They are manufactured and supplied in "left" and "right" widths so, when alternated with each panel row; the vertical corner line is eliminated. Corners are offered in 90 or 135-degree angles. No starter strip is required.

Fire Resistance:

Class "A" Flame Spread: Any panel Cedar Valley makes can be pressure treated to achieve a Class "A" Flame spread rating. The "California Stack" panel line is listed and approved for use in California by the State Fire Marshall. Test reports are available upon request.



Technical Data

Standards:

The panels have evaluation reports (ER) from ICC-ES Legacy, State of Florida FL#7993 and Texas T.D.I. EC-#53 as assurance of quality and that they meet all applicable building codes.

Designs:

A unique patented manufacturing process applies the shingles to 11/32" plywood sheathing graded CD with Exterior glue with both galvanized steel staples and glue bead in a manner that allows contraction and expansion without buckling, and which results in an exclusive feature of tight keyways between individual shingles for better water run-off and authentic shingle lay-up. For added protection a layer of coated fiberglass matte laminate is interleaved between the plywood and shingles. The weather tight end joint lap design of overlapping shingles covers all vertical seams with a layer of shingle.

Limitations:

Panels may not be used on roofs with slopes less than 60°, and do not meet shear requirement.

Weights & Packaging:

Panels are wrapped and strapped in pallet loads of 15 Siding Squares (100 sq. ft. per square). Average pallet weight is 2300 lbs. Individual panels weigh approximately 5.25 lbs. each. Flush-mounted corners are packaged 8 to a bundle, each bundle weighing 5 lbs.

Availability:

The Cedar Valley panel system is available throughout the U.S. through building material distributors and wholesalers located nationally. For the names of the nearest source or a sales representative, contact Cedar Valley Shingle Systems

Warranty:

Cedar Valley Shingle Systems offers a limited warranty against defects due to workmanship, manufacture or defective raw materials used in that manufacture, to the extent that such defective materials will be either repaired or replaced at the option of Cedar Valley Shingle Systems. This guarantee does not extend to other costs that maybe attendant to, or result from, such repair or replacement.

CVPS-113 Rev.3-14