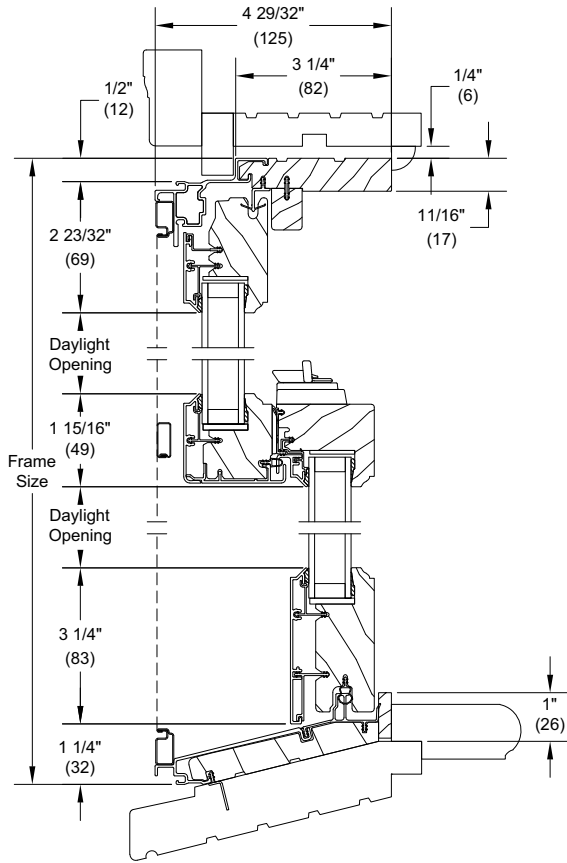
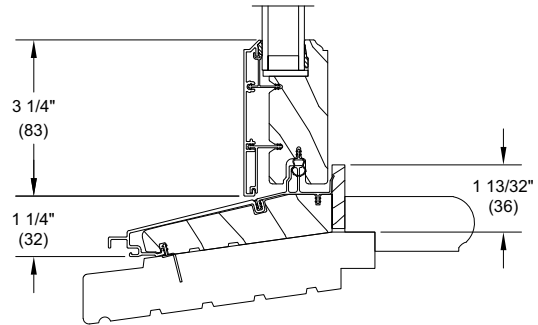


Section Details: Operating

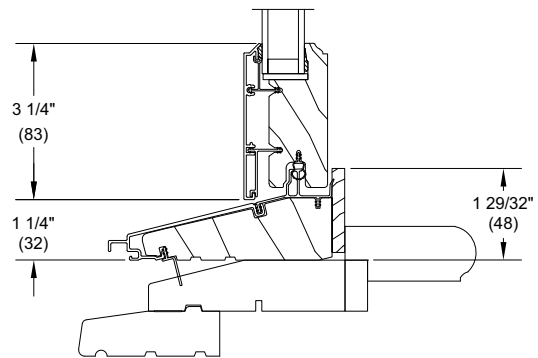
Scale: 3" = 1' 0"



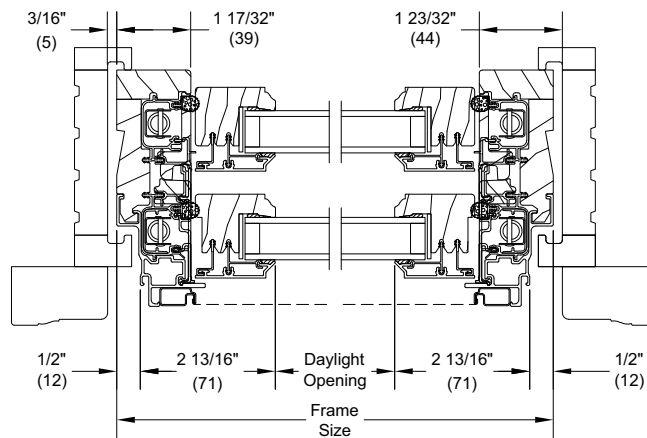
14 Degree Bevel Sill Option
Installed in existing frame



8 Degree Bevel Sill Option
Installed in existing frame



0 Degree Bevel Sill Option
Installed in existing frame



Jamb
Installed in existing frame