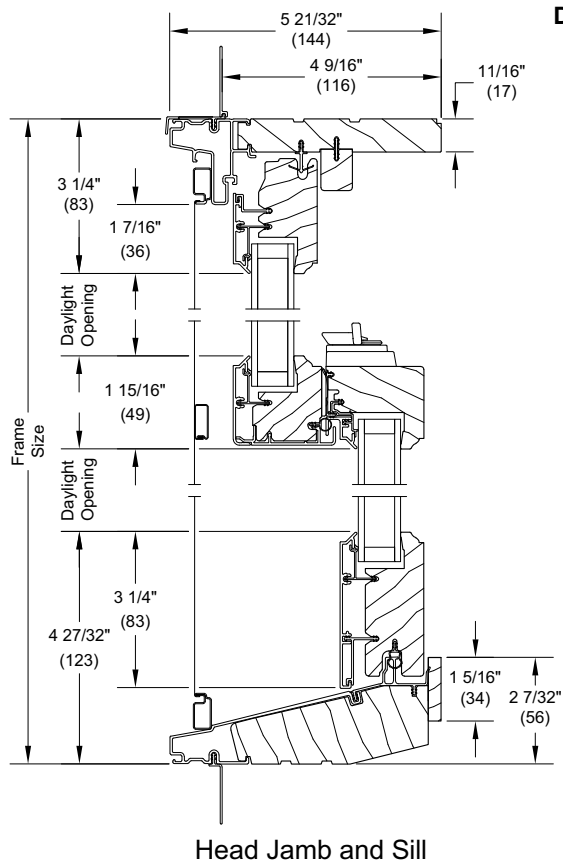
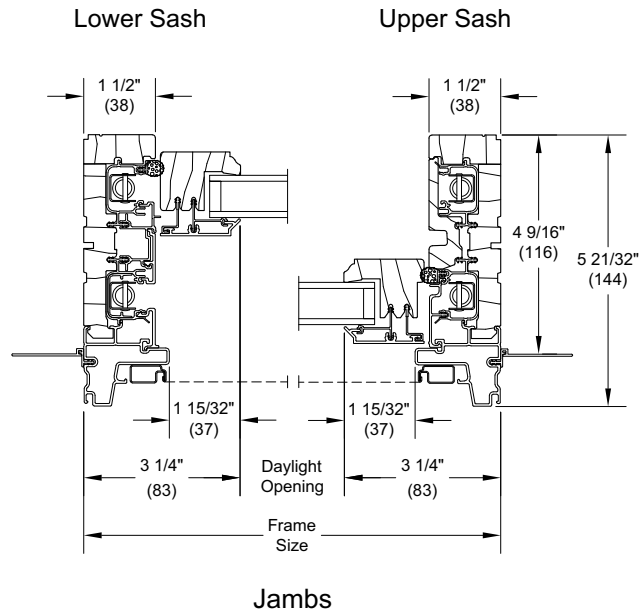


**Section Details: Operating**

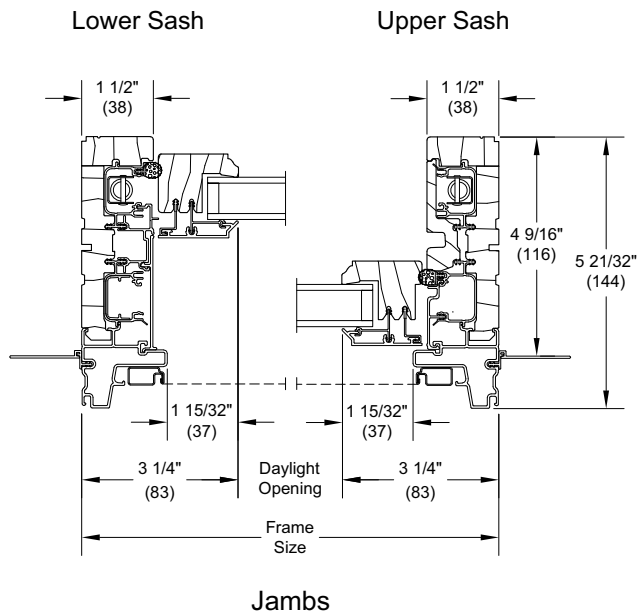
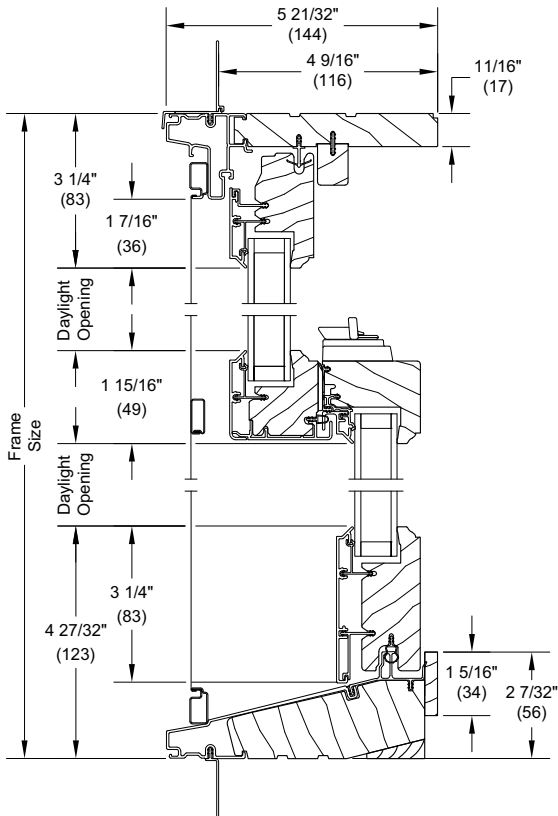
Scale: 3" = 1' 0"



**Double Hung**

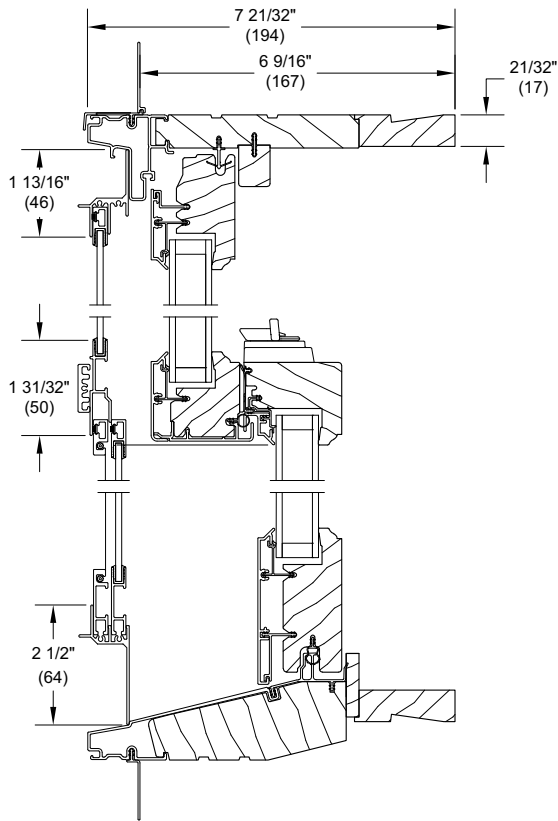


**Single Hung**

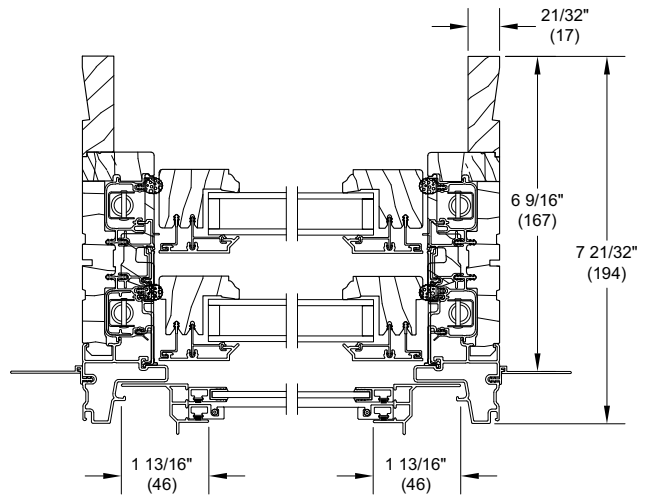


**Section Details: 6 9/16" Combination**

Scale: 3" = 1' 0"



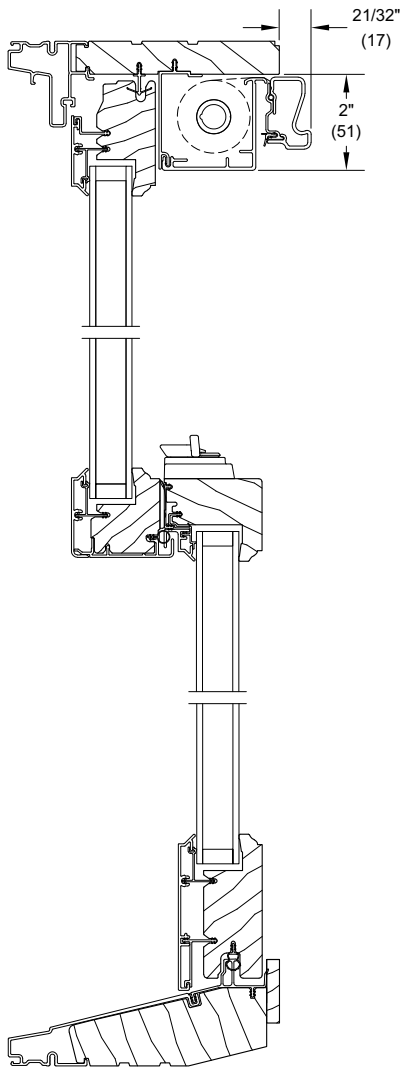
Head Jamb and Sill



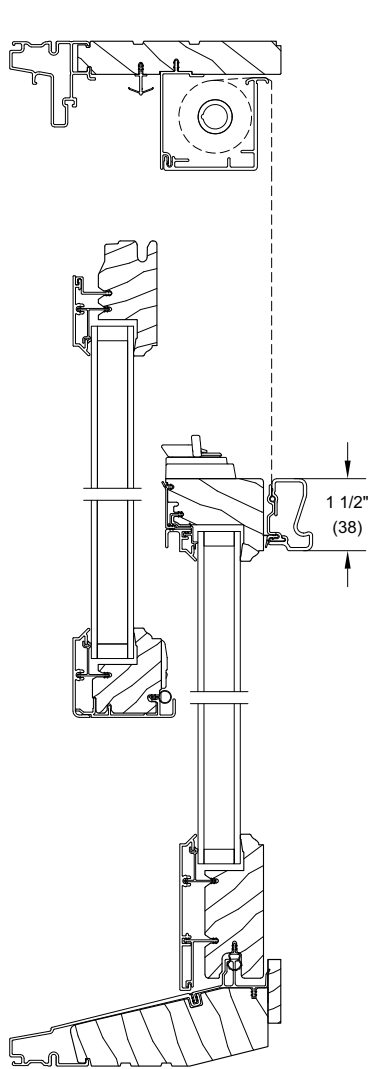
Jamb

**Section Detail: Retractable Screen**

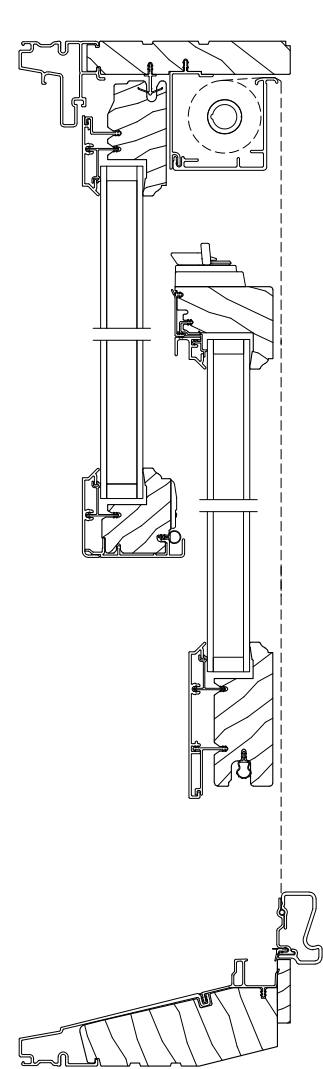
Scale: 3" = 1' 0"



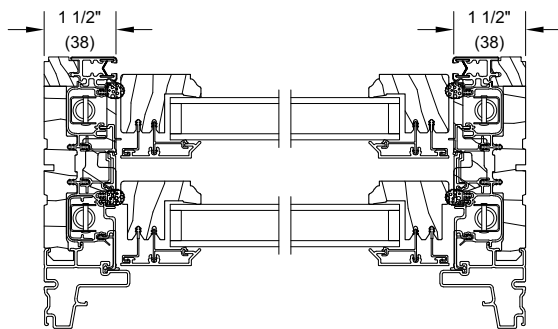
Head Jamb and Sill  
Screen Open



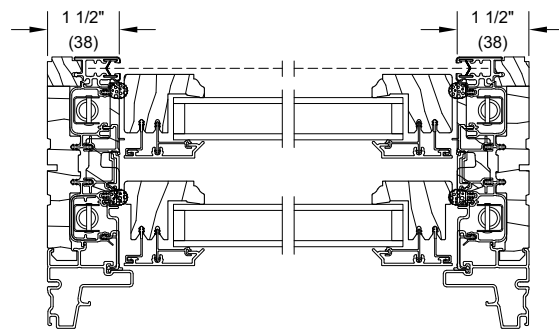
Head Jamb and Sill  
Screen Closed to Checkrail  
Top Sash Venting Mode



Head Jamb and Sill  
Screen Closed  
Bottom Sash or Bottom  
and Top Sash Venting Mode



Jamb - Screen Open



Jamb - Screen Closed